

Electropneumatic Fail Safe

CE

Model EP-350

RoHS



- Accepts either 24 VAC or 24 VDC
- Can handle up to four transducers
- Features isolated pneumatic ports that prohibit pressure mixing
- Interfaces with EP-311/313 electropneumatic transducers to provide fail safe bleed to zero pressure

The EP-350 interfaces with up to four separate EP-311/313 electropneumatic transducers to ensure fail safe bleed to zero pressure. The EP-350 solenoid holds a transducers' bleed port closed until power is lost and then opens the port, which allows the branch ports of all connected transducers to exhaust pressure upon power failure. The EP-350 incorporates an aluminum block manifold that is fitted with four 1/4-inch brass hose barbs and a single power solenoid. By connecting transducers' branch lines to the EP-350's four hose barbs, pressure ports are kept isolated from one another to ensure that no pressure mixing occurs across pneumatic ports. To power the EP-350, apply either 24 VDC or 24 VAC to the EP-350's two-position terminal block. To provide a pneumatic connection, tee a line of 1/4-inch poly tubing from one of the EP-350's four 1/4-inch hose barbs to the branch line output of an electropneumatic transducer.

**MAMAC SYSTEMS®**

8189 Century Boulevard • Minneapolis, MN 55317-8002 • USA
800-843-5116 • 952-556-4900 • Fax 952-556-4997
sales@mamacsys.com • www.mamacsys.com

4200 Waterside Centre
Solihull Parkway
Birmingham • West Midlands
B37 7YN • United Kingdom
01384-271113 • Fax 01384-271114

1 Fullerton Road #02-01
One Fullerton
Singapore • 049213
65-31581826 • Fax 65-31581826

4 Armiger Court, Unit 2
Adelaide • S.A.
5088 • Australia
08-8395-4333 • Fax 08-8395-4433

675 Cochrane Drive
East Tower • 6th Floor
Toronto • Ontario
L3R 0B8 • Canada
905-474-9215 • Fax 905-474-0876

EP-350

SPECIFICATIONS:

Supply Voltage: 18 to 28 VAC/VDC

Operating Temperature: 32°F to 160°F
(0° to 70°C)

Storage Temperature: -40°F to 212°F
(-40° to 100°C)

Manifold Material: Aluminum

Solenoid Type: Floating poppet

Bracket Material: 16 Ga. Steel

Bracket Finish: Enamel painted PMS#2GR88B

Tubing connection: Brass hose barb

Weight: ½ lb. (¼ kg)

CONFORMANCE & TESTING:

RoHS Compliant

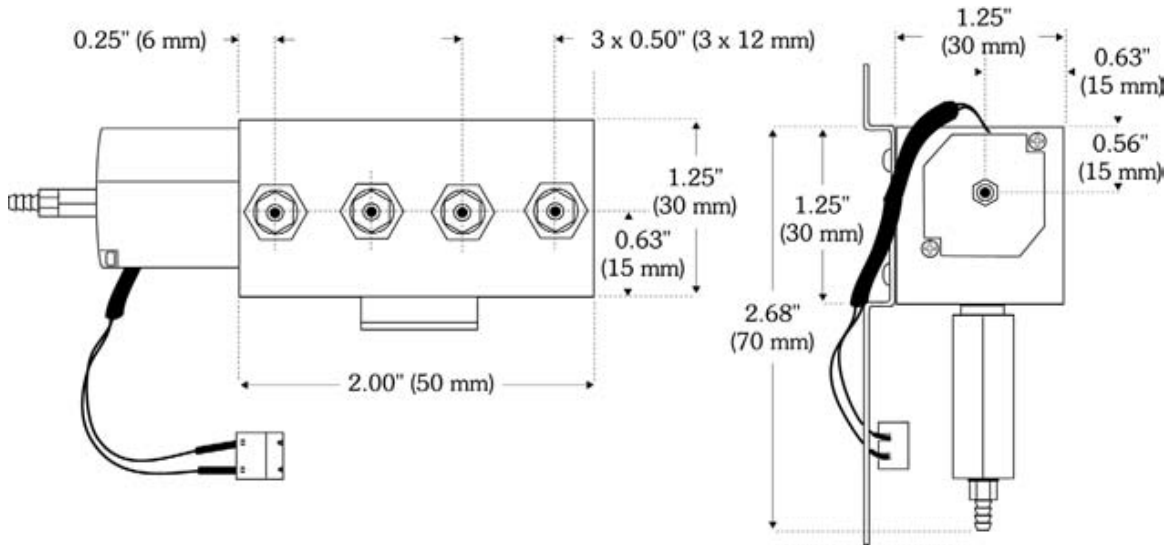
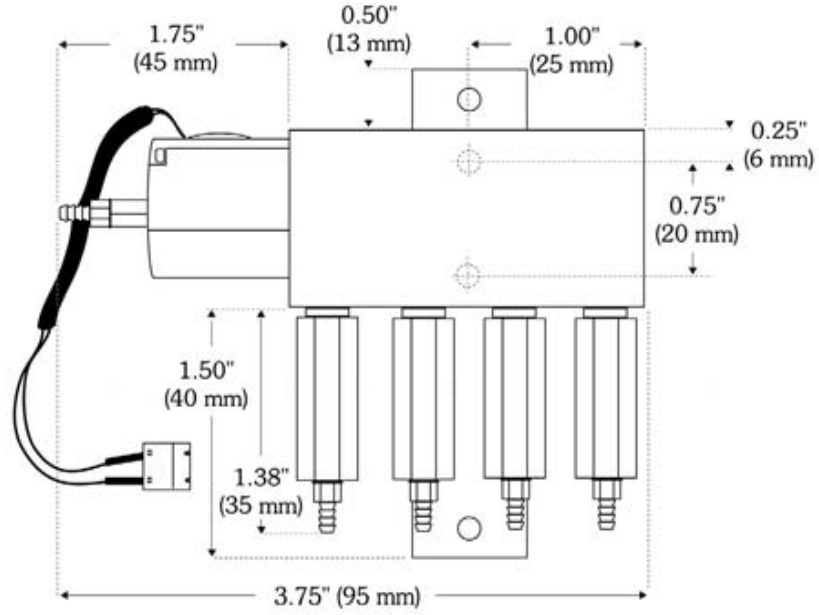
EMC Testing:

BS EN 55022:1998, BS EN 55024:1998,
EN 61000-3-3, EN 61000-4-2,
EN 61000-4-3, EN 61000-4-4,
EN 61000-4-5, EN 61000-4-6,
EN 61000-4-11

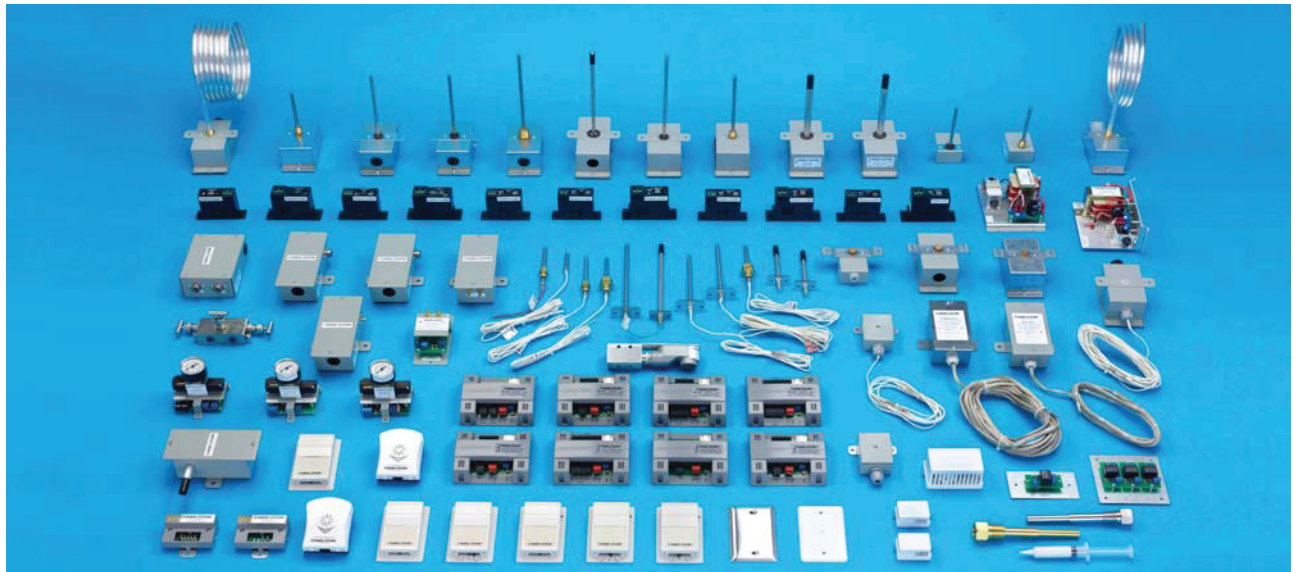
ORDERING INFORMATION: EP-350

CAUTION: Do not use in explosive/hazardous environment or with flammable/combustible media.

EP-350



EP-350



MAMAC Systems is the leading global manufacturer of sensors, transducers, control peripherals and web browser based IP appliances. MAMAC products are used for HVAC and environmental controls, remote monitoring, alarming, energy metering and industrial automation.

All MAMAC products are manufactured in the USA.

WARRANTY: MAMAC Systems, Inc. and its subsidiaries (hereinafter referred to as MAMAC Systems) warrants its products to be free of defects in material and workmanship for a period of five (5) years from date of shipment. If a unit is malfunctioning, it must be returned to the factory for evaluation. A return authorization number (RMA) will be issued by the customer service department and this number must be written or prominently displayed on the shipping boxes and all related documents. The defective part should be shipped freight pre-paid to the factory. Upon examination by MAMAC Systems, if the unit is found to be defective, it will be repaired or replaced at no charge to the customer. However, this warranty is void if the unit shows evidence of being tampered with, damaged during installation, misapplied, misused, or used in any other operating condition outside of the unit's published specifications.

MAMAC Systems makes no other warranties or representations of any kind whatsoever, expressed or implied, except that of title. All implied warranties including any warranty of merchantability and fitness for a particular purpose are hereby disclaimed. User is responsible to determine suitability for intended use.

LIMITATIONS OF LIABILITY: The remedies of buyer set forth herein are exclusive and the total liability of MAMAC Systems with respect to this order, whether based on contract, warranty, negligence, indemnification, strict liability or otherwise, shall not exceed the purchase price of the product upon which liability is based. **In no event shall MAMAC Systems be liable for consequential, incidental or special damages.** MAMAC Systems reserves the right to change any specifications without notice to improve performance, reliability, or function of our products.

Every precaution for accuracy has been taken in the preparation of this manual, however, MAMAC Systems neither assumes responsibility for any omissions or errors that may appear nor assumes liability for any damages that result from the use of the product in accordance with the information contained in the manual.



8189 Century Boulevard • Minneapolis, MN 55317-8002 • USA
800-843-5116 • 952-556-4900 • Fax 952-556-4997
sales@mamacsys.com • www.mamacsys.com

4200 Waterside Centre
Solihull Parkway
Birmingham • West Midlands
B37 7YN • United Kingdom
01384-271113 • Fax 01384-271114

1 Fullerton Road #02-01
One Fullerton
Singapore • 049213
65-31581826 • Fax 65-31581826

4 Armiger Court, Unit 2
Adelaide • S.A.
5088 • Australia
08-8395-4333 • Fax 08-8395-4433

675 Cochrane Drive
East Tower • 6th Floor
Toronto • Ontario
L3R 0B8 • Canada
905-474-9215 • Fax 905-474-0876